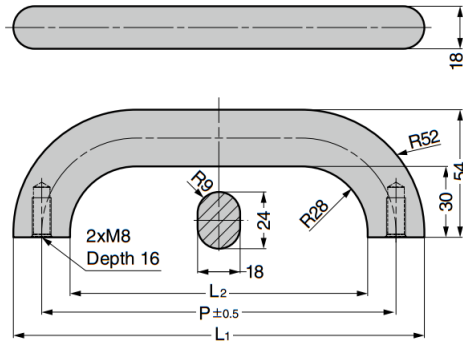


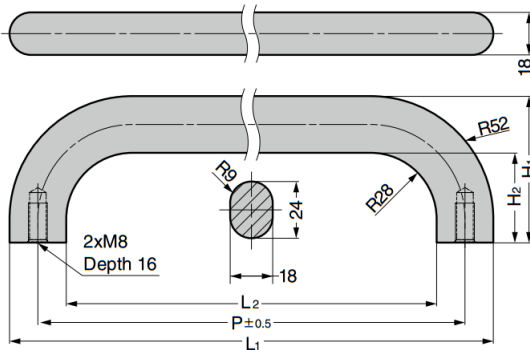
GAGH-L / T Aluminium Grip Handle

Features

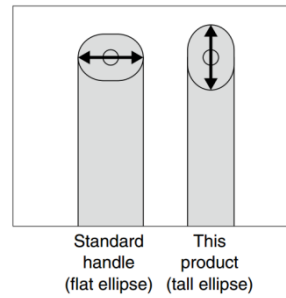
- Elliptical profile combines minimalist look with maximum grip
- Choice of heights
- Suitable for applications including operation panels



GAGH-L



GAGH-T



Part No.	Material	Finish	L ₁	L ₂	P	Load Capacity	
GAGH-L150SL	Aluminium Alloy	Matte Silver / Anodised	174	126	150	350 N	36 kg
GAGH-L150BL		Matte Black / Anodised					
GAGH-L200SL		Matte Silver / Anodised	224	176	200		
GAGH-L200BL		Matte Black / Anodised					
GAGH-L350SL		Matte Silver / Anodised	374	326	350		
GAGH-L350BL		Matte Black / Anodised					
GAGH-L500SL		Matte Silver / Anodised	524	476	500		
GAGH-L500BL		Matte Black / Anodised					

Part No.	Material	Finish	L ₁	L ₂	H ₁	H ₂	P	Load Capacity	
GAGH-T350SL	Aluminium Alloy	Matte Silver / Anodised	374	326	62	38	350	350 N	36 kg
GAGH-T350BL		Matte Black / Anodised							
GAGH-T500SL		Matte Silver / Anodised	524	476	64	40	500		
GAGH-T500BL		Matte Black / Anodised							